



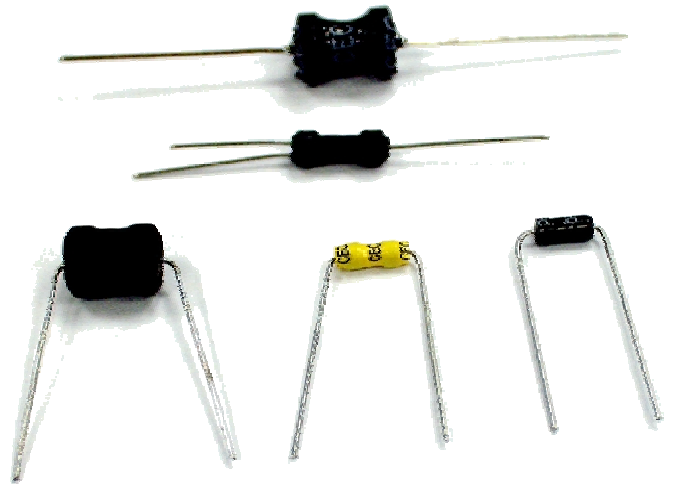
## AXIAL TYPE CHOKE COILS

### FEATURES

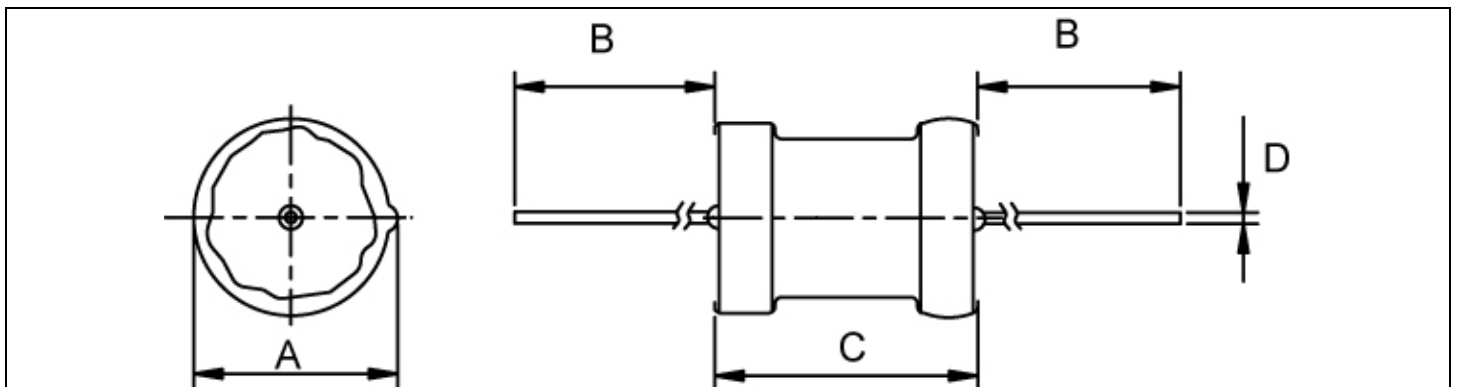
- I Contain high-frequency ferrite.
- I Comparatively large rated current.
- I Taping is also available which can be used in automated mounting lines.

### APPLICATIONS

- I Power supplies, DC-DC converters
- I TVs, VTRs, Computers
- I Computer Peripherals
- I Telephones, Air-Conditioners
- I Home Electric Appliance
- I Electronic toys and games



### DIMENSIONS WITH PVC or UL



Dimensions (mm)

| MODEL | A Max. | B $\pm$ 2.0 | C (max.) | D   | TABLE |
|-------|--------|-------------|----------|-----|-------|
| CWRL  | 4.0    | 26          | 8        | 0.6 | P.27  |
| CWRD  | 4.0    | 25          | 10       | 0.6 | P.28  |
| CWR4  | 5.0    | 30          | 7.5      | 0.6 | P.29  |
| CWR6  | 7.5    | 25          | 12       | 0.6 | P.30  |
| CWR8  | 9.0    | 30          | 13       | 0.6 | P.31  |
| CWR9  | 10.5   | 27          | 16       | 0.8 | P.32  |
| CWRA  | 12.0   | 20          | 24       | 1.0 | P.33  |

### CHARACTERISTICS

- Operating temperature range :  $-20^{\circ}\text{C}$  to  $+105^{\circ}\text{C}$  (include coil heat)  
 Storage conditions :  $-20^{\circ}\text{C}$  to  $+85^{\circ}\text{C}$   
 Do NOT expose to direct sunlight (JIS C 805)

※Specifications other than the above will be furnished upon request.



## AXIAL TYPE CHOKE COILS

**Specification table of Axial type Choke Coils CWRL (H500-0052)**

| PART No.  | STAMP | INDUCTANCE<br>( $\mu$ H)<br>WITHIN | UNLOADED Q<br>Min. | D.C.R. ( $\Omega$ )<br>Max. | RATED CURRENT (A)<br>Max. |       | S.R.F<br>(MHz)<br>Ref. |     |
|-----------|-------|------------------------------------|--------------------|-----------------------------|---------------------------|-------|------------------------|-----|
|           |       |                                    |                    |                             | Idc 1                     | Idc 2 |                        |     |
| CWRL-R10M | R10M  | 0.10 $\pm$ 20%                     | 18                 | 7.4m                        | 13.0                      | 11    | 477                    |     |
| CWRL-R12M | R12M  | 0.12 $\pm$ 20%                     |                    | 7.5m                        | 12.4                      | 10    | 384                    |     |
| CWRL-R15M | R15M  | 0.15 $\pm$ 20%                     |                    | 7.9m                        | 11.3                      | 8.9   | 351                    |     |
| CWRL-R18M | R18M  | 0.18 $\pm$ 20%                     |                    | 8.5m                        | 11.2                      | 8.2   | 328                    |     |
| CWRL-R22M | R22M  | 0.22 $\pm$ 20%                     |                    | 8.9m                        | 8.7                       | 7.8   | 310                    |     |
| CWRL-R27M | R27M  | 0.27 $\pm$ 20%                     |                    | 9.4m                        | 8.6                       | 7.1   | 289                    |     |
| CWRL-R33M | R33M  | 0.33 $\pm$ 20%                     |                    | 10.2m                       | 7.6                       | 6.5   | 258                    |     |
| CWRL-R39M | R39M  | 0.39 $\pm$ 20%                     |                    | 10.9m                       | 7.5                       | 6.1   | 243                    |     |
| CWRL-R47M | R47M  | 0.47 $\pm$ 20%                     |                    | 12.8m                       | 6.3                       | 5.7   | 223                    |     |
| CWRL-R56M | R56M  | 0.56 $\pm$ 20%                     |                    | 13.6m                       | 6.2                       | 5.1   | 210                    |     |
| CWRL-R68M | R68M  | 0.68 $\pm$ 20%                     |                    | 17.2m                       | 5.1                       | 4.2   | 188                    |     |
| CWRL-R82M | R82M  | 0.82 $\pm$ 20%                     |                    | 23.8m                       | 5.0                       | 3.5   | 177                    |     |
| CWRL-1R0M | 1R0M  | 1.0 $\pm$ 20%                      |                    | 63                          | 29.4m                     | 4.4   | 3.2                    | 157 |
| CWRL-1R2M | 1R2M  | 1.2 $\pm$ 20%                      |                    |                             | 33.7m                     | 4.0   | 3.1                    | 142 |
| CWRL-1R5M | 1R5M  | 1.5 $\pm$ 20%                      | 44.4m              |                             | 3.6                       | 2.6   | 130                    |     |
| CWRL-1R8M | 1R8M  | 1.8 $\pm$ 20%                      | 55.0m              |                             | 3.4                       | 2.3   | 119                    |     |
| CWRL-2R2M | 2R2M  | 2.2 $\pm$ 20%                      | 61.0m              |                             | 3.0                       | 2.1   | 92.1                   |     |
| CWRL-2R7M | 2R7M  | 2.7 $\pm$ 20%                      | 66.0m              |                             | 2.8                       | 2.0   | 77.2                   |     |
| CWRL-3R3M | 3R3M  | 3.3 $\pm$ 20%                      | 56                 | 75.8m                       | 2.4                       | 1.9   | 49.1                   |     |
| CWRL-3R9M | 3R9M  | 3.9 $\pm$ 20%                      |                    | 81.3m                       | 2.3                       | 1.8   | 38.7                   |     |
| CWRL-4R7M | 4R7M  | 4.7 $\pm$ 20%                      |                    | 91.2m                       | 2.1                       | 1.7   | 28.5                   |     |
| CWRL-5R6M | 5R6M  | 5.6 $\pm$ 20%                      |                    | 0.13                        | 1.9                       | 1.4   | 30.7                   |     |
| CWRL-6R8M | 6R8M  | 6.8 $\pm$ 20%                      |                    | 0.14                        | 1.8                       | 1.3   | 21.5                   |     |
| CWRL-8R2M | 8R2M  | 8.2 $\pm$ 20%                      |                    | 0.18                        | 1.5                       | 1.1   | 21.3                   |     |
| CWRL-100K | 100K  | 10 $\pm$ 10%                       | 33                 | 0.19                        | 2.1                       | 1.0   | 16.2                   |     |
| CWRL-120K | 120K  | 12 $\pm$ 10%                       |                    | 0.25                        | 1.9                       | 0.94  | 15.4                   |     |
| CWRL-150K | 150K  | 15 $\pm$ 10%                       |                    | 0.32                        | 1.6                       | 0.85  | 12.2                   |     |
| CWRL-180K | 180K  | 18 $\pm$ 10%                       |                    | 0.40                        | 1.5                       | 0.78  | 10.3                   |     |
| CWRL-220K | 220K  | 22 $\pm$ 10%                       | 28                 | 0.44                        | 1.4                       | 0.75  | 9.9                    |     |
| CWRL-270K | 270K  | 27 $\pm$ 10%                       |                    | 0.50                        | 1.3                       | 0.68  | 9.2                    |     |
| CWRL-330K | 330K  | 33 $\pm$ 10%                       | 28                 | 0.56                        | 1.2                       | 0.66  | 8.0                    |     |
| CWRL-390K | 390K  | 39 $\pm$ 10%                       |                    | 0.71                        | 1.0                       | 0.58  | 7.0                    |     |
| CWRL-470K | 470K  | 47 $\pm$ 10%                       |                    | 0.88                        | 0.95                      | 0.51  | 6.4                    |     |
| CWRL-560K | 560K  | 56 $\pm$ 10%                       |                    | 1.0                         | 0.88                      | 0.50  | 6.0                    |     |
| CWRL-680K | 680K  | 68 $\pm$ 10%                       |                    | 1.4                         | 0.80                      | 0.40  | 4.6                    |     |
| CWRL-820K | 820K  | 82 $\pm$ 10%                       |                    | 1.6                         | 0.71                      | 0.37  | 4.2                    |     |
| CWRL-101K | 101K  | 100 $\pm$ 10%                      | 63                 | 1.8                         | 0.66                      | 0.35  | 3.9                    |     |
| CWRL-121K | 121K  | 120 $\pm$ 10%                      |                    | 2.0                         | 0.61                      | 0.32  | 3.6                    |     |
| CWRL-151K | 151K  | 150 $\pm$ 10%                      |                    | 2.6                         | 0.54                      | 0.29  | 3.2                    |     |
| CWRL-181K | 181K  | 180 $\pm$ 10%                      |                    | 2.9                         | 0.50                      | 0.28  | 3.0                    |     |
| CWRL-221K | 221K  | 220 $\pm$ 10%                      |                    | 3.3                         | 0.44                      | 0.27  | 2.7                    |     |
| CWRL-271K | 271K  | 270 $\pm$ 10%                      |                    | 4.7                         | 0.39                      | 0.23  | 2.1                    |     |
| CWRL-331K | 331K  | 330 $\pm$ 10%                      |                    | 5.2                         | 0.37                      | 0.21  | 1.9                    |     |
| CWRL-391K | 391K  | 390 $\pm$ 10%                      |                    | 7.2                         | 0.33                      | 0.18  | 1.8                    |     |
| CWRL-471K | 471K  | 470 $\pm$ 10%                      |                    | 8.0                         | 0.30                      | 0.17  | 1.7                    |     |
| CWRL-561K | 561K  | 560 $\pm$ 10%                      |                    | 56                          | 8.9                       | 0.29  | 0.16                   | 1.6 |
| CWRL-681K | 681K  | 680 $\pm$ 10%                      | 13                 |                             | 0.25                      | 0.14  | 1.4                    |     |
| CWRL-821K | 821K  | 820 $\pm$ 10%                      | 14                 |                             | 0.22                      | 0.13  | 1.2                    |     |
| CWRL-102K | 102K  | 1000 $\pm$ 10%                     | 16                 |                             | 0.21                      | 0.12  | 1.1                    |     |
| CWRL-122K | 122K  | 1200 $\pm$ 10%                     | 47                 | 24                          | 0.18                      | 0.11  | 1.0                    |     |
| CWRL-152K | 152K  | 1500 $\pm$ 10%                     |                    | 27                          | 0.16                      | 0.10  | 0.91                   |     |
| CWRL-182K | 182K  | 1800 $\pm$ 10%                     | 37                 | 44                          | 0.15                      | 80m   | 0.65                   |     |
| CWRL-222K | 222K  | 2200 $\pm$ 10%                     |                    | 49                          | 0.14                      | 75m   | 0.59                   |     |
| CWRL-272K | 272K  | 2700 $\pm$ 10%                     | 40                 | 55                          | 0.13                      | 70m   | 0.58                   |     |
| CWRL-332K | 332K  | 3300 $\pm$ 10%                     |                    | 61                          | 0.11                      | 65m   | 0.53                   |     |
| CWRL-392K | 392K  | 3900 $\pm$ 10%                     |                    | 68                          | 0.10                      | 60m   | 0.49                   |     |
| CWRL-472K | 472K  | 4700 $\pm$ 10%                     |                    | 76                          | 0.09                      | 55m   | 0.45                   |     |

※ Specifications other than the above will be furnished upon request.



## AXIAL TYPE CHOKE COILS

**Specification table of Axial type Choke Coils CWR (H500-0069)**

| PART No.  | STAMP | TURN<br>Ref.<br>(Ts) | WIRE<br>(mm)<br>2UEW | INDUCTANCE<br>( $\mu$ H)<br>WITHIN | UNLOADED<br>Q<br>Min. | D.C.R.<br>( $\Omega$ )<br>Max. | RATED CURRENT<br>(A) Max. |       | S.R.F<br>Ref.<br>(MHz) |
|-----------|-------|----------------------|----------------------|------------------------------------|-----------------------|--------------------------------|---------------------------|-------|------------------------|
|           |       |                      |                      |                                    |                       |                                | Idc 1                     | Idc 2 |                        |
| CWRD-1R0M | 1R0M  | 10                   | φ0.40                | 1.0±20%                            | 53                    | 20m                            | 3.9                       | 4.6   | 155                    |
| CWRD-1R2M | 1R2M  | 11                   |                      | 1.2±20%                            |                       | 21m                            | 3.6                       | 4.5   | 144                    |
| CWRD-1R5M | 1R5M  | 12                   | φ0.35                | 1.5±20%                            |                       | 26m                            | 3.1                       | 3.5   | 135                    |
| CWRD-1R8M | 1R8M  | 13½                  |                      | 1.8±20%                            |                       | 28m                            | 3.0                       | 3.0   | 107                    |
| CWRD-2R2M | 2R2M  | 14½                  | φ0.30                | 2.2±20%                            |                       | 38m                            | 2.8                       | 2.9   | 100                    |
| CWRD-2R7M | 2R7M  | 16½                  | φ0.28                | 2.7±20%                            |                       | 46m                            | 2.5                       | 2.5   | 91                     |
| CWRD-3R3M | 3R3M  | 18                   | φ0.26                | 3.3±20%                            |                       | 61m                            | 2.3                       | 2.2   | 82                     |
| CWRD-3R9M | 3R9M  | 19½                  | φ0.23                | 3.9±20%                            |                       | 80m                            | 2.1                       | 1.8   | 78                     |
| CWRD-4R7M | 4R7M  | 21                   | φ0.20                | 4.7±20%                            | 55                    | 0.11                           | 1.9                       | 1.5   | 70                     |
| CWRD-5R6M | 5R6M  | 23½                  |                      | 5.6±20%                            |                       | 0.13                           | 1.7                       | 1.5   | 66                     |
| CWRD-6R8M | 6R8M  | 25½                  |                      | 6.8±20%                            |                       | 0.14                           | 1.5                       | 1.4   | 55                     |
| CWRD-8R2M | 8R2M  | 28                   |                      | 8.2±20%                            |                       | 0.15                           | 1.4                       | 1.3   | 42                     |
| CWRD-100K | 100K  | 28½                  |                      | 10±10%                             | 33                    | 0.15                           | 2.1                       | 1.3   | 47                     |
| CWRD-120K | 120K  | 31                   |                      | 12±10%                             |                       | 0.17                           | 1.8                       | 1.2   | 33                     |
| CWRD-150K | 150K  | 34                   |                      | 15±10%                             | 28                    | 0.19                           | 1.7                       | 1.2   | 21                     |
| CWRD-180K | 180K  | 37½                  |                      | 18±10%                             |                       | 0.21                           | 1.5                       | 1.1   | 16                     |
| CWRD-220K | 220K  | 41½                  | 22±10%               | 0.23                               |                       | 1.4                            | 1.0                       | 12    |                        |
| CWRD-270K | 270K  | 46                   | φ0.18                | 27±10%                             |                       | 0.32                           | 1.2                       | 0.90  | 9.0                    |
| CWRD-330K | 330K  | 51                   | φ0.16                | 33±10%                             | 0.44                  | 1.1                            | 0.76                      | 8.2   |                        |
| CWRD-390K | 390K  | 54½                  | φ0.14                | 39±10%                             | 22                    | 0.59                           | 1.0                       | 0.65  | 7.6                    |
| CWRD-470K | 470K  | 60                   |                      | 47±10%                             |                       | 0.65                           | 0.9                       | 0.63  | 6.1                    |
| CWRD-560K | 560K  | 66½                  |                      | 56±10%                             |                       | 0.7                            | 0.8                       | 0.62  | 4.1                    |
| CWRD-680K | 680K  | 73½                  |                      | 68±10%                             |                       | 0.8                            | 0.8                       | 0.59  | 3.7                    |
| CWRD-820K | 820K  | 80                   |                      | 82±10%                             | 0.9                   | 0.7                            | 0.53                      | 3.6   |                        |
| CWRD-101K | 101K  | 88½                  |                      | 100±10%                            | 42                    | 1.0                            | 0.7                       | 0.51  | 3.3                    |
| CWRD-121K | 121K  | 97½                  |                      | 120±10%                            |                       | 1.1                            | 0.6                       | 0.48  | 3.0                    |
| CWRD-151K | 151K  | 108½                 |                      | φ0.12                              | 150±10%               | 53                             | 1.5                       | 0.5   | 0.40                   |
| CWRD-181K | 181K  | 119                  | φ0.11                | 180±10%                            | 60                    | 2.1                            | 0.5                       | 0.34  | 2.4                    |
| CWRD-221K | 221K  | 131                  | φ0.10                | 220±10%                            |                       | 2.6                            | 0.4                       | 0.30  | 1.9                    |
| CWRD-271K | 271K  | 146                  |                      | 270±10%                            |                       | 2.9                            | 0.4                       | 0.29  | 1.8                    |
| CWRD-331K | 331K  | 161                  | φ0.10                | 330±10%                            | 52                    | 3.3                            | 0.4                       | 0.27  | 1.7                    |
| CWRD-391K | 391K  | 175½                 |                      | 390±10%                            |                       | 3.7                            | 0.3                       | 0.25  | 1.6                    |
| CWRD-471K | 471K  | 192½                 | φ0.09                | 470±10%                            |                       | 4.9                            | 0.3                       | 0.24  | 1.4                    |
| CWRD-561K | 561K  | 208                  | φ0.08                | 560±10%                            | 45                    | 6.8                            | 0.3                       | 0.20  | 1.2                    |
| CWRD-681K | 681K  | 230½                 |                      | 680±10%                            | 35                    | 7.6                            | 0.2                       | 0.19  | 1.1                    |
| CWRD-821K | 821K  | 252½                 |                      | 820±10%                            | 30                    | 8.4                            | 0.2                       | 0.17  | 1.0                    |
| CWRD-102K | 102K  | 280                  | φ0.07                | 1000±10%                           | 60                    | 12                             | 0.2                       | 0.14  | 0.86                   |
| CWRD-122K | 122K  | 306                  |                      | 1200±10%                           |                       | 13                             | 0.2                       | 0.14  | 0.80                   |
| CWRD-152K | 152K  | 340                  |                      | 1500±10%                           |                       | 15                             | 0.2                       | 0.13  | 0.75                   |
| CWRD-182K | 182K  | 375                  |                      | 1800±10%                           |                       | 17                             | 0.1                       | 0.12  | 0.68                   |
| CWRD-222K | 222K  | 412                  | φ0.06                | 2200±10%                           | 50                    | 24                             | 0.1                       | 0.10  | 0.61                   |
| CWRD-272K | 272K  | 457                  |                      | 2700±10%                           |                       | 27                             | 0.1                       | 0.09  | 0.58                   |
| CWRD-332K | 332K  | 503                  | φ0.05                | 3300±10%                           | 45                    | 42                             | 0.1                       | 0.08  | 0.44                   |
| CWRD-392K | 392K  | 548                  |                      | 3900±10%                           | 40                    | 45                             | 0.1                       | 0.07  | 0.41                   |
| CWRD-472K | 472K  | 603                  |                      | 4700±10%                           |                       | 51                             | 0.1                       | 0.07  | 0.39                   |

※ Specifications other than the above will be furnished upon request.



## AXIAL TYPE CHOKE COILS

**Specification table of Axial type Choke Coils CWR4 (H500-0076)**

| PART No.  | STAMP | INDUCTANCE<br>( $\mu$ H)<br>WITHIN | UNLOADED<br>Q<br>Min. | D.C.R.<br>( $\Omega$ )<br>Max. | RATED CURRENT<br>(A) Max. |       | S.R.F<br>(MHz)<br>Ref. |
|-----------|-------|------------------------------------|-----------------------|--------------------------------|---------------------------|-------|------------------------|
|           |       |                                    |                       |                                | Idc 1                     | Idc 2 |                        |
| CWR4-1R0M | 1R0M  | 1.0 $\pm$ 20%                      | 28                    | 20m                            | 5.5                       | 4.0   | 200                    |
| CWR4-1R2M | 1R2M  | 1.2 $\pm$ 20%                      |                       | 22m                            | 5.0                       | 3.8   | 170                    |
| CWR4-1R5M | 1R5M  | 1.5 $\pm$ 20%                      |                       | 25m                            | 4.7                       | 3.7   | 125                    |
| CWR4-1R8M | 1R8M  | 1.8 $\pm$ 20%                      |                       | 28m                            | 4.2                       | 3.4   | 95                     |
| CWR4-2R2M | 2R2M  | 2.2 $\pm$ 20%                      | 32                    | 31m                            | 3.9                       | 3.3   | 75                     |
| CWR4-2R7M | 2R7M  | 2.7 $\pm$ 20%                      | 28                    | 35m                            | 3.5                       | 3.0   | 65                     |
| CWR4-3R3M | 3R3M  | 3.3 $\pm$ 20%                      |                       | 41m                            | 3.1                       | 2.8   | 55                     |
| CWR4-3R9M | 3R9M  | 3.9 $\pm$ 20%                      |                       | 48m                            | 2.8                       | 2.6   | 50                     |
| CWR4-4R7M | 4R7M  | 4.7 $\pm$ 20%                      |                       | 52m                            | 2.6                       | 2.4   | 45                     |
| CWR4-5R6M | 5R6M  | 5.6 $\pm$ 20%                      | -                     | 60m                            | 2.4                       | 2.2   | 38                     |
| CWR4-6R8M | 6R8M  | 6.8 $\pm$ 20%                      | 25                    | 76m                            | 2.2                       | 2.0   | 35                     |
| CWR4-8R2M | 8R2M  | 8.2 $\pm$ 20%                      | 32                    | 100m                           | 1.9                       | 1.6   | 30                     |
| CWR4-100K | 100K  | 10 $\pm$ 10%                       | 45                    | 0.13                           | 1.7                       | 1.4   | 28                     |
| CWR4-120K | 120K  | 12 $\pm$ 10%                       | 42                    | 0.14                           | 1.6                       | 1.35  | 26                     |
| CWR4-150K | 150K  | 15 $\pm$ 10%                       | 40                    | 0.18                           | 1.4                       | 1.23  | 24                     |
| CWR4-180K | 180K  | 18 $\pm$ 10%                       | 35                    | 0.19                           | 1.3                       | 1.16  | 22                     |
| CWR4-220K | 220K  | 22 $\pm$ 10%                       | 32                    | 0.22                           | 1.2                       | 1.10  | 19                     |
| CWR4-270K | 270K  | 27 $\pm$ 10%                       | 32                    | 0.30                           | 1.0                       | 0.91  | 18                     |
| CWR4-330K | 330K  | 33 $\pm$ 10%                       | 35                    | 0.40                           | 0.95                      | 0.78  | 15                     |
| CWR4-390K | 390K  | 39 $\pm$ 10%                       | 32                    | 0.45                           | 0.85                      | 0.75  | 14.5                   |
| CWR4-470K | 470K  | 47 $\pm$ 10%                       | 28                    | 0.50                           | 0.80                      | 0.70  | 13.5                   |
| CWR4-560K | 560K  | 56 $\pm$ 10%                       | 32                    | 0.60                           | 0.75                      | 0.62  | 10.5                   |
| CWR4-680K | 680K  | 68 $\pm$ 10%                       | 25                    | 0.65                           | 0.65                      | 0.59  | 9.5                    |
| CWR4-820K | 820K  | 82 $\pm$ 10%                       | 25                    | 0.80                           | 0.60                      | 0.55  | 8.5                    |
| CWR4-101K | 101K  | 100 $\pm$ 10%                      | 35                    | 0.95                           | 0.55                      | 0.50  | 8.0                    |
| CWR4-121K | 121K  | 120 $\pm$ 10%                      | 42                    | 1.2                            | 0.50                      | 0.43  | 7.3                    |
| CWR4-151K | 151K  | 150 $\pm$ 10%                      | 40                    | 1.3                            | 0.47                      | 0.39  | 6.8                    |
| CWR4-181K | 181K  | 180 $\pm$ 10%                      | 42                    | 1.7                            | 0.44                      | 0.38  | 6.4                    |
| CWR4-221K | 221K  | 220 $\pm$ 10%                      | 53                    | 2.2                            | 0.38                      | 0.32  | 6.0                    |
| CWR4-271K | 271K  | 270 $\pm$ 10%                      | 45                    | 2.5                            | 0.36                      | 0.30  | 5.5                    |
| CWR4-331K | 331K  | 330 $\pm$ 10%                      | 53                    | 3.2                            | 0.32                      | 0.26  | 4.5                    |
| CWR4-391K | 391K  | 390 $\pm$ 10%                      | 50                    | 3.5                            | 0.29                      | 0.26  | 4.2                    |
| CWR4-471K | 471K  | 470 $\pm$ 10%                      | 60                    | 4.5                            | 0.26                      | 0.22  | 3.9                    |
| CWR4-561K | 561K  | 560 $\pm$ 10%                      | 55                    | 5.0                            | 0.24                      | 0.21  | 3.6                    |
| CWR4-681K | 681K  | 680 $\pm$ 10%                      | 63                    | 6.8                            | 0.22                      | 0.21  | 3.0                    |
| CWR4-821K | 821K  | 820 $\pm$ 10%                      | 55                    | 7.8                            | 0.21                      | 0.18  | 2.8                    |
| CWR4-102K | 102K  | 1000 $\pm$ 10%                     | 63                    | 10.3                           | 0.18                      | 0.14  | 2.5                    |
| CWR4-122K | 122K  | 1200 $\pm$ 10%                     | 60                    | 11.5                           | 0.17                      | 0.14  | 2.3                    |
| CWR4-152K | 152K  | 1500 $\pm$ 10%                     | 50                    | 14.0                           | 0.15                      | 0.13  | 2.2                    |
| CWR4-182K | 182K  | 1800 $\pm$ 10%                     | 48                    | 19.0                           | 0.14                      | 0.11  | 1.9                    |
| CWR4-222K | 222K  | 2200 $\pm$ 10%                     | 42                    | 22.0                           | 0.13                      | 0.10  | 1.8                    |
| CWR4-272K | 272K  | 2700 $\pm$ 10%                     | 35                    | 25.0                           | 0.11                      | 95m   | 1.6                    |
| CWR4-332K | 332K  | 3300 $\pm$ 10%                     | 28                    | 36.5                           | 0.10                      | 80m   | 1.3                    |
| CWR4-392K | 392K  | 3900 $\pm$ 10%                     | 25                    | 40.5                           | 0.10                      | 78m   | 1.2                    |
| CWR4-472K | 472K  | 4700 $\pm$ 10%                     | 18                    | 46.5                           | 80m                       | 75m   | 1.1                    |
| CWR4-562K | 562K  | 5600 $\pm$ 10%                     | 13                    | 51.5                           | 76m                       | 70m   | 1.0                    |
| CWR4-682K | 682K  | 6800 $\pm$ 10%                     | 8                     | 58.5                           | 72m                       | 65m   | 0.9                    |

※ Specifications other than the above will be furnished upon request.



## AXIAL TYPE CHOKE COILS

Specification table of Axial type Choke Coils CWR6 (H500-0072)

| PART No.  | STAMP | TURN (Ts)<br>Ref. | WIRE (mm)<br>2UEW | INDUCTANCE (μH)<br>WITHIN | UNLOADED Q<br>Min. | D.C.R. (Ω)<br>Max. | RATED CURRENT (A) Max. |       | S.R.F (MHz)<br>Ref. |
|-----------|-------|-------------------|-------------------|---------------------------|--------------------|--------------------|------------------------|-------|---------------------|
|           |       |                   |                   |                           |                    |                    | Idc 1                  | Idc 2 |                     |
| CWR6-1R0M | 1R0M  | 6                 | φ0.50             | 1.0±20%                   | 25                 | 9.5 m              | 5.8                    | 7.1   | 195                 |
| CWR6-1R2M | 1R2M  | 6½                |                   | 1.2±20%                   | 27                 | 10.0m              | 5.6                    | 6.9   | 185                 |
| CWR6-1R5M | 1R5M  | 7                 |                   | 1.5±20%                   | 26                 | 10.5m              | 5.4                    | 6.7   | 170                 |
| CWR6-1R8M | 1R8M  | 8                 |                   | 1.8±20%                   |                    | 12.5m              | 4.8                    | 6.3   | 140                 |
| CWR6-2R2M | 2R2M  | 8½                |                   | 2.2±20%                   | 27                 | 13.0m              | 4.6                    | 6.0   | 120                 |
| CWR6-2R7M | 2R7M  | 9½                |                   | 2.7±20%                   | 28                 | 14.5m              | 4.1                    | 5.8   | 85                  |
| CWR6-3R3M | 3R3M  | 11                |                   | 3.3±20%                   |                    | 17.0m              | 3.6                    | 5.2   | 54                  |
| CWR6-3R9M | 3R9M  | 12                |                   | 3.9±20%                   |                    | 18.5m              | 3.4                    | 4.9   | 45                  |
| CWR6-4R7M | 4R7M  | 13                |                   | 4.7±20%                   |                    | 19.5m              | 3.0                    | 4.7   | 38                  |
| CWR6-5R6M | 5R6M  | 14                |                   | 5.6±20%                   |                    | φ0.45              | 30.5m                  | 2.8   | 3.8                 |
| CWR6-6R8M | 6R8M  | 15½               | 6.8±20%           | 34.0m                     |                    |                    | 2.48                   | 3.6   | 30                  |
| CWR6-8R2M | 8R2M  | 17                | 8.2±20%           | φ0.40                     | 36.5m              | 2.32               | 3.2                    | 25.5  |                     |
| CWR6-100K | 100K  | 19                | 10±10%            |                           | 70                 | 41.5m              | 2.08                   | 3.1   | 24.0                |
| CWR6-120K | 120K  | 20½               | 12±10%            | 45.5m                     |                    | 1.92               | 3.0                    | 22.5  |                     |
| CWR6-150K | 150K  | 23                | 15±10%            | 67                        | 52 m               | 1.76               | 2.8                    | 19.0  |                     |
| CWR6-180K | 180K  | 25½               | 18±10%            |                           | 65 m               | 1.52               | 2.5                    | 16.0  |                     |
| CWR6-220K | 220K  | 28                | 22±10%            | 56                        | 73m                | 1.36               | 2.4                    | 15.0  |                     |
| CWR6-270K | 270K  | 31½               | 27±10%            |                           | 95m                | 1.28               | 2.0                    | 14.5  |                     |
| CWR6-330K | 330K  | 34½               | 33±10%            | 53                        | 105m               | 1.20               | 1.8                    | 12.5  |                     |
| CWR6-390K | 390K  | 37½               | 39±10%            | 56                        | 0.13               | 1.04               | 1.7                    | 11.0  |                     |
| CWR6-470K | 470K  | 41½               | 47±10%            | 49                        | 0.14               | 0.96               | 1.6                    | 9.5   |                     |
| CWR6-560K | 560K  | 45                | 56±10%            | 46                        | 0.16               | 0.88               | 1.5                    | 9.0   |                     |
| CWR6-680K | 680K  | 50                | 68±10%            | 39                        | 0.19               | 0.80               | 1.3                    | 8.0   |                     |
| CWR6-820K | 820K  | 54½               | 82±10%            |                           | 0.24               | 0.75               | 1.2                    | 7.5   |                     |
| CWR6-101K | 101K  | 60½               | φ0.27             | 100±10%                   | 32                 | 0.29               | 0.67                   | 1.0   | 6.5                 |
| CWR6-121K | 121K  | 66                | φ0.25             | 120±10%                   |                    | 0.36               | 0.62                   | 0.95  | 6.0                 |
| CWR6-151K | 151K  | 74                | φ0.23             | 150±10%                   |                    | 0.48               | 0.55                   | 0.80  | 5.5                 |
| CWR6-181K | 181K  | 80½               |                   | 180±10%                   |                    | 0.53               | 0.52                   | 0.78  | 5.0                 |
| CWR6-221K | 221K  | 89½               | 220±10%           | 25                        |                    | 0.60               | 0.47                   | 0.74  | 4.5                 |
| CWR6-271K | 271K  | 99½               | φ0.21             | 270±10%                   |                    | 28                 | 0.80                   | 0.42  | 0.62                |
| CWR6-331K | 331K  | 110               | φ0.21             | 330±10%                   | 25                 | 0.90               | 0.38                   | 0.60  | 3.5                 |
| CWR6-391K | 391K  | 118               | φ0.19             | 390±10%                   | 28                 | 1.13               | 0.36                   | 0.51  | 3.3                 |
| CWR6-471K | 471K  | 131               | φ0.18             | 470±10%                   | 32                 | 1.32               | 0.33                   | 0.46  | 3.2                 |
| CWR6-561K | 561K  | 142               | φ0.17             | 560±10%                   | 33                 | 1.56               | 0.29                   | 0.42  | 2.8                 |
| CWR6-681K | 681K  | 157½              |                   | 680±10%                   | 28                 | 1.8                | 0.27                   | 0.39  | 2.5                 |
| CWR6-821K | 821K  | 171               | φ0.15             | 820±10%                   | 35                 | 2.4                | 0.24                   | 0.35  | 2.1                 |
| CWR6-102K | 102K  | 189               |                   | 1000±10%                  | 75                 | 2.6                | 0.22                   | 0.33  | 1.9                 |
| CWR6-122K | 122K  | 208               |                   | 1200±10%                  | 70                 | 3.0                | 0.20                   | 0.31  | 1.8                 |
| CWR6-152K | 152K  | 234               |                   | 1500±10%                  | 65                 | 3.6                | 0.18                   | 0.29  | 1.60                |
| CWR6-182K | 182K  | 255               | φ0.14             | 1800±10%                  | 70                 | 4.3                | 0.17                   | 0.27  | 1.45                |
| CWR6-222K | 222K  | 282               | φ0.13             | 2200±10%                  | 75                 | 5.6                | 0.14                   | 0.23  | 1.35                |
| CWR6-272K | 272K  | 314               |                   | 2700±10%                  | 65                 | 6.6                | 0.14                   | 0.22  | 1.23                |
| CWR6-332K | 332K  | 348               | φ0.12             | 3300±10%                  | 70                 | 8.4                | 0.13                   | 0.19  | 1.20                |
| CWR6-392K | 392K  | 376               | φ0.11             | 3900±10%                  | 75                 | 10.8               | 0.11                   | 0.17  | 1.10                |
| CWR6-472K | 472K  | 408               | φ0.10             | 4700±10%                  | 80                 | 13.2               | 0.10                   | 0.14  | 0.92                |
| CWR6-562K | 562K  | 447               |                   | 5600±10%                  | 75                 | 15.0               | 96                     | 0.13  | 0.85                |
| CWR6-682K | 682K  | 490               | φ0.09             | 6800±10%                  | 80                 | 19.5               | 88                     | 0.12  | 0.83                |
| CWR6-822K | 822K  | 546               |                   | 8200±10%                  | 75                 | 22.0               | 80                     | 0.11  | 0.76                |
| CWR6-103K | 103K  | 608               |                   | 10000±10%                 |                    | 26.0               | 72                     | 0.10  | 0.70                |
| CWR6-123K | 123K  | 656               |                   | φ0.08                     | 12000±10%          | 32.5               | 64                     | 95    | 0.57                |
| CWR6-153K | 153K  | 723               | φ0.07             | 15000±10%                 | 65                 | 45                 | 56                     | 76    | 0.49                |
| CWR6-183K | 183K  | 794               |                   | 18000±10%                 | 70                 | 55                 | 48                     | 74    | 0.46                |
| CWR6-223K | 223K  | 888               |                   | 22000±10%                 |                    | 60                 | 44                     | 67    | 0.42                |
| CWR6-273K | 273K  | 973               | φ0.06             | 27000±10%                 | 65                 | 85                 | 40                     | 60    | 0.38                |
| CWR6-333K | 333K  | 1085              |                   | 33000±10%                 |                    | 100                | 40                     | 56    | 0.35                |
| CWR6-393K | 393K  | 1165              | φ0.05             | 39000±10%                 | 60                 | 140                | 32                     | 47    | 0.28                |
| CWR6-473K | 473K  | 1280              |                   | 47000±10%                 |                    | 155                | 32                     | 45    | 0.26                |

※ Specifications other than the above will be furnished upon request.



## AXIAL TYPE CHOKE COILS

**Specification table of Axial type Choke Coils CWR8 (H500-0085)**

| PART No.  | STAMP | INDUCTANCE<br>( $\mu$ H)<br>WITHIN | UNLOADED<br>Q<br>Ref. | D.C.R.<br>( $\Omega$ )<br>Max. | RATED CURRENT<br>(A) Max. * |       | S.R.F<br>(MHz)<br>Ref. |
|-----------|-------|------------------------------------|-----------------------|--------------------------------|-----------------------------|-------|------------------------|
|           |       |                                    |                       |                                | Idc 1                       | Idc 2 |                        |
| CWR8-1R8M | 1R8M  | 1.8 $\pm$ 20%                      | 35                    | 11m                            | 11.0                        | 7.3   | 122                    |
| CWR8-2R2M | 2R2M  | 2.2 $\pm$ 20%                      |                       | 12m                            | 10.5                        | 7.0   | 114                    |
| CWR8-2R7M | 2R7M  | 2.7 $\pm$ 20%                      |                       | 13m                            | 9.1                         | 6.7   | 93                     |
| CWR8-3R3M | 3R3M  | 3.3 $\pm$ 20%                      |                       | 17m                            | 8.3                         | 5.7   | 82                     |
| CWR8-3R9M | 3R9M  | 3.9 $\pm$ 20%                      |                       | 18m                            | 7.8                         | 5.5   | 71                     |
| CWR8-4R7M | 4R7M  | 4.7 $\pm$ 20%                      |                       | 19m                            | 7.1                         | 5.3   | 55                     |
| CWR8-5R6M | 5R6M  | 5.6 $\pm$ 20%                      |                       | 25m                            | 6.2                         | 4.5   | 44                     |
| CWR8-6R8M | 6R8M  | 6.8 $\pm$ 20%                      |                       | 30m                            | 5.8                         | 4.3   | 33                     |
| CWR8-8R2M | 8R2M  | 8.2 $\pm$ 20%                      |                       | 31m                            | 5.2                         | 4.0   | 24                     |
| CWR8-100K | 100K  | 10 $\pm$ 10%                       |                       | 100                            | 32m                         | 4.9   | 3.8                    |
| CWR8-120K | 120K  | 12 $\pm$ 10%                       | 36m                   |                                | 4.5                         | 3.7   | 18                     |
| CWR8-150K | 150K  | 15 $\pm$ 10%                       | 42m                   |                                | 4.2                         | 3.3   | 17                     |
| CWR8-180K | 180K  | 18 $\pm$ 10%                       | 53m                   |                                | 3.7                         | 2.9   | 15                     |
| CWR8-220K | 220K  | 22 $\pm$ 10%                       | 60m                   |                                | 3.3                         | 2.8   | 13                     |
| CWR8-270K | 270K  | 27 $\pm$ 10%                       | 85                    | 67m                            | 3.0                         | 2.6   | 11                     |
| CWR8-330K | 330K  | 33 $\pm$ 10%                       |                       | 92m                            | 2.7                         | 2.2   | 9.6                    |
| CWR8-390K | 390K  | 39 $\pm$ 10%                       | 75                    | 98m                            | 2.5                         | 2.1   | 9.1                    |
| CWR8-470K | 470K  | 47 $\pm$ 10%                       | 70                    | 0.11                           | 2.3                         | 2.0   | 9.0                    |
| CWR8-560K | 560K  | 56 $\pm$ 10%                       | 65                    | 0.12                           | 2.1                         | 1.8   | 7.8                    |
| CWR8-680K | 680K  | 68 $\pm$ 10%                       | 50                    | 0.14                           | 1.9                         | 1.7   | 7.1                    |
| CWR8-820K | 820K  | 82 $\pm$ 10%                       |                       | 0.18                           | 1.7                         | 1.5   | 6.4                    |
| CWR8-101K | 101K  | 100 $\pm$ 10%                      | 45                    | 0.20                           | 1.6                         | 1.4   | 5.8                    |
| CWR8-121K | 121K  | 120 $\pm$ 10%                      | 45                    | 0.27                           | 1.4                         | 1.3   | 4.8                    |
| CWR8-151K | 151K  | 150 $\pm$ 10%                      | 40                    | 0.31                           | 1.3                         | 1.1   | 4.3                    |
| CWR8-181K | 181K  | 180 $\pm$ 10%                      | 35                    | 0.39                           | 1.1                         | 1.0   | 4.0                    |
| CWR8-221K | 221K  | 220 $\pm$ 10%                      |                       | 0.43                           | 1.0                         | 0.94  | 3.9                    |
| CWR8-271K | 271K  | 270 $\pm$ 10%                      | 30                    | 0.54                           | 0.94                        | 0.82  | 3.3                    |
| CWR8-331K | 331K  | 330 $\pm$ 10%                      |                       | 0.68                           | 0.84                        | 0.77  | 3.0                    |
| CWR8-391K | 391K  | 390 $\pm$ 10%                      |                       | 0.83                           | 0.79                        | 0.68  | 2.7                    |
| CWR8-471K | 471K  | 470 $\pm$ 10%                      |                       | 0.93                           | 0.73                        | 0.63  | 2.5                    |
| CWR8-561K | 561K  | 560 $\pm$ 10%                      |                       | 1.2                            | 0.66                        | 0.59  | 2.2                    |
| CWR8-681K | 681K  | 680 $\pm$ 10%                      |                       | 1.4                            | 0.60                        | 0.50  | 2.0                    |
| CWR8-821K | 821K  | 820 $\pm$ 10%                      | 1.8                   | 0.54                           | 0.46                        | 1.9   |                        |
| CWR8-102K | 102K  | 1000 $\pm$ 10%                     | 65                    | 2.0                            | 0.49                        | 0.43  | 1.7                    |
| CWR8-122K | 122K  | 1200 $\pm$ 10%                     | 70                    | 2.4                            | 0.44                        | 0.41  | 1.6                    |
| CWR8-152K | 152K  | 1500 $\pm$ 10%                     | 85                    | 3.1                            | 0.38                        | 0.33  | 1.2                    |
| CWR8-182K | 182K  | 1800 $\pm$ 10%                     | 75                    | 3.5                            | 0.35                        | 0.31  | 1.1                    |
| CWR8-222K | 222K  | 2200 $\pm$ 10%                     | 85                    | 4.4                            | 0.32                        | 0.28  | 1.0                    |
| CWR8-272K | 272K  | 2700 $\pm$ 10%                     | 75                    | 5.1                            | 0.29                        | 0.26  | 0.95                   |
| CWR8-332K | 332K  | 3300 $\pm$ 10%                     | 80                    | 6.4                            | 0.26                        | 0.25  | 0.85                   |
| CWR8-392K | 392K  | 3900 $\pm$ 10%                     | 70                    | 7.2                            | 0.24                        | 0.23  | 0.80                   |
| CWR8-472K | 472K  | 4700 $\pm$ 10%                     |                       | 8.7                            | 0.22                        | 0.21  | 0.69                   |
| CWR8-562K | 562K  | 5600 $\pm$ 10%                     | 85                    | 11                             | 0.20                        | 0.18  | 0.71                   |
| CWR8-682K | 682K  | 6800 $\pm$ 10%                     | 75                    | 14                             | 0.18                        | 0.17  | 0.58                   |
| CWR8-822K | 822K  | 8200 $\pm$ 10%                     | 90                    | 19                             | 0.17                        | 0.14  | 0.56                   |
| CWR8-103K | 103K  | 10000 $\pm$ 10%                    | 130                   | 21                             | 0.15                        | 0.13  | 0.54                   |
| CWR8-123K | 123K  | 12000 $\pm$ 10%                    |                       | 26                             | 0.14                        | 0.12  | 0.44                   |
| CWR8-153K | 153K  | 15000 $\pm$ 10%                    | 125                   | 36                             | 0.12                        | 0.11  | 0.42                   |
| CWR8-183K | 183K  | 18000 $\pm$ 10%                    |                       | 41                             | 0.11                        | 0.10  | 0.39                   |
| CWR8-223K | 223K  | 22000 $\pm$ 10%                    | 110                   | 62                             | 0.10                        | 0.08  | 0.34                   |

※ Specifications other than the above will be furnished upon request.



## AXIAL TYPE CHOKE COILS

**Specification table of Axial type Choke Coils CWR9 (H500-0074)**

| PART No.  | STAMP | INDUCTANCE<br>( $\mu$ H)<br>WITHIN | UNLOADED<br>Q<br>Ref. | D.C.R.<br>( $\Omega$ )<br>Max. | RATED CURRENT<br>(A) Max. |       | S.R.F<br>Ref.<br>(MHz) |
|-----------|-------|------------------------------------|-----------------------|--------------------------------|---------------------------|-------|------------------------|
|           |       |                                    |                       |                                | Idc 1                     | Idc 2 |                        |
| CWR9-3R3M | 3R3M  | 3.3 $\pm$ 20%                      | 25                    | 10m                            | 7.9                       | 8.0   | 94                     |
| CWR9-3R9M | 3R9M  | 3.9 $\pm$ 20%                      |                       | 11m                            | 7.3                       | 7.8   | 80                     |
| CWR9-4R7M | 4R7M  | 4.7 $\pm$ 20%                      |                       | 12m                            | 6.6                       | 7.4   | 64                     |
| CWR9-5R6M | 5R6M  | 5.6 $\pm$ 20%                      |                       | 13m                            | 5.9                       | 7.3   | 46                     |
| CWR9-6R8M | 6R8M  | 6.8 $\pm$ 20%                      |                       | 16m                            | 5.3                       | 6.7   | 32                     |
| CWR9-8R2M | 8R2M  | 8.2 $\pm$ 20%                      |                       | 17m                            | 5.0                       | 6.2   | 27                     |
| CWR9-100K | 100K  | 10 $\pm$ 10%                       | 120                   | 20m                            | 4.5                       | 5.7   | 22                     |
| CWR9-120K | 120K  | 12 $\pm$ 10%                       |                       | 22m                            | 4.2                       | 5.3   | 17                     |
| CWR9-150K | 150K  | 15 $\pm$ 10%                       | 100                   | 26m                            | 3.6                       | 4.9   | 14.3                   |
| CWR9-180K | 180K  | 18 $\pm$ 10%                       |                       | 28m                            | 3.3                       | 4.7   | 13.8                   |
| CWR9-220K | 220K  | 22 $\pm$ 10%                       |                       | 32m                            | 3.0                       | 4.5   | 12.2                   |
| CWR9-270K | 270K  | 27 $\pm$ 10%                       |                       | 40m                            | 2.7                       | 3.9   | 10.7                   |
| CWR9-330K | 330K  | 33 $\pm$ 10%                       |                       | 53m                            | 2.4                       | 3.3   | 9.3                    |
| CWR9-390K | 390K  | 39 $\pm$ 10%                       |                       | 80                             | 58m                       | 2.2   | 3.0                    |
| CWR9-470K | 470K  | 47 $\pm$ 10%                       | 66m                   |                                | 2.0                       | 2.9   | 8.0                    |
| CWR9-560K | 560K  | 56 $\pm$ 10%                       | 70                    | 82m                            | 1.84                      | 2.7   | 6.7                    |
| CWR9-680K | 680K  | 68 $\pm$ 10%                       |                       | 93m                            | 1.68                      | 2.4   | 6.4                    |
| CWR9-820K | 820K  | 82 $\pm$ 10%                       | 55                    | 104m                           | 1.52                      | 2.3   | 5.4                    |
| CWR9-101K | 101K  | 100 $\pm$ 10%                      |                       | 0.14                           | 1.36                      | 1.93  | 4.8                    |
| CWR9-121K | 121K  | 120 $\pm$ 10%                      | 50                    | 0.15                           | 1.32                      | 1.88  | 4.7                    |
| CWR9-151K | 151K  | 150 $\pm$ 10%                      |                       | 0.18                           | 1.12                      | 1.80  | 4.1                    |
| CWR9-181K | 181K  | 180 $\pm$ 10%                      | 60                    | 0.23                           | 1.04                      | 1.55  | 3.6                    |
| CWR9-221K | 221K  | 220 $\pm$ 10%                      |                       | 0.29                           | 0.96                      | 1.37  | 3.1                    |
| CWR9-271K | 271K  | 270 $\pm$ 10%                      | 45                    | 0.33                           | 0.88                      | 1.24  | 2.9                    |
| CWR9-331K | 331K  | 330 $\pm$ 10%                      |                       | 0.41                           | 0.79                      | 1.10  | 2.7                    |
| CWR9-391K | 391K  | 390 $\pm$ 10%                      | 40                    | 0.46                           | 0.72                      | 1.05  | 2.5                    |
| CWR9-471K | 471K  | 470 $\pm$ 10%                      |                       | 0.58                           | 0.64                      | 0.94  | 2.1                    |
| CWR9-561K | 561K  | 560 $\pm$ 10%                      | 30                    | 0.66                           | 0.61                      | 0.88  | 2.0                    |
| CWR9-681K | 681K  | 680 $\pm$ 10%                      |                       | 0.80                           | 0.54                      | 0.82  | 1.8                    |
| CWR9-821K | 821K  | 820 $\pm$ 10%                      |                       | 0.96                           | 0.50                      | 0.75  | 1.7                    |
| CWR9-102K | 102K  | 1000 $\pm$ 10%                     | 45                    | 1.2                            | 0.45                      | 0.63  | 1.5                    |
| CWR9-122K | 122K  | 1200 $\pm$ 10%                     |                       | 1.4                            | 0.42                      | 0.60  | 1.4                    |
| CWR9-152K | 152K  | 1500 $\pm$ 10%                     | 60                    | 1.9                            | 0.37                      | 0.51  | 1.1                    |
| CWR9-182K | 182K  | 1800 $\pm$ 10%                     | 50                    | 2.1                            | 0.34                      | 0.47  | 1.1                    |
| CWR9-222K | 222K  | 2200 $\pm$ 10%                     | 60                    | 2.7                            | 0.30                      | 0.42  | 0.98                   |
| CWR9-272K | 272K  | 2700 $\pm$ 10%                     |                       | 3.1                            | 0.27                      | 0.38  | 0.90                   |
| CWR9-332K | 332K  | 3300 $\pm$ 10%                     | 55                    | 3.8                            | 0.24                      | 0.36  | 0.84                   |
| CWR9-392K | 392K  | 3900 $\pm$ 10%                     |                       | 4.5                            | 0.22                      | 0.31  | 0.77                   |
| CWR9-472K | 472K  | 4700 $\pm$ 10%                     |                       | 5.5                            | 0.21                      | 0.29  | 0.70                   |
| CWR9-562K | 562K  | 5600 $\pm$ 10%                     |                       | 6.5                            | 0.18                      | 0.26  | 0.57                   |
| CWR9-682K | 682K  | 6800 $\pm$ 10%                     | 50                    | 7.4                            | 0.17                      | 0.25  | 0.52                   |
| CWR9-822K | 822K  | 8200 $\pm$ 10%                     | 55                    | 9.5                            | 0.15                      | 0.22  | 0.55                   |
| CWR9-103K | 103K  | 10000 $\pm$ 10%                    | 130                   | 11.8                           | 0.14                      | 0.20  | 0.43                   |
| CWR9-123K | 123K  | 12000 $\pm$ 10%                    |                       | 13.4                           | 0.13                      | 0.18  | 0.35                   |
| CWR9-153K | 153K  | 15000 $\pm$ 10%                    |                       | 16.6                           | 0.11                      | 0.17  | 0.36                   |
| CWR9-183K | 183K  | 18000 $\pm$ 10%                    |                       | 21.2                           | 0.10                      | 0.14  | 0.33                   |
| CWR9-223K | 223K  | 22000 $\pm$ 10%                    | 120                   | 25.8                           | 0.10                      | 0.14  | 0.32                   |
| CWR9-273K | 273K  | 27000 $\pm$ 10%                    |                       | 29.8                           | 0.08                      | 0.12  | 0.29                   |
| CWR9-333K | 333K  | 33000 $\pm$ 10%                    | 110                   | 41.9                           | 0.08                      | 0.10  | 0.27                   |
| CWR9-393K | 393K  | 39000 $\pm$ 10%                    |                       | 50.9                           | 0.07                      | 0.10  | 0.24                   |
| CWR9-473K | 473K  | 47000 $\pm$ 10%                    | 100                   | 54.5                           | 0.06                      | 0.09  | 0.23                   |
| CWR9-563K | 563K  | 56000 $\pm$ 10%                    |                       | 73.1                           | 0.06                      | 0.08  | 0.19                   |
| CWR9-683K | 683K  | 68000 $\pm$ 10%                    | 90                    | 83.0                           | 0.06                      | 0.07  | 0.18                   |
| CWR9-823K | 823K  | 82000 $\pm$ 10%                    | 50                    | 111.0                          | 0.05                      | 0.06  | 0.15                   |
| CWR9-104K | 104K  | 100000 $\pm$ 10%                   | 40                    | 129.0                          | 0.04                      | 0.06  | 0.13                   |

※ Specifications other than the above will be furnished upon request.



## AXIAL TYPE CHOKE COILS

**Specification table of Axial type Choke Coils CWRA (H500-0029)**

| PART No.  | STAMP | INDUCTANCE<br>( $\mu\text{H}$ )<br>WITHIN | D.C.R.<br>( $\Omega$ )<br>(Max.) | RATED CURRENT<br>(A) Max. |       |
|-----------|-------|---|----------------------------------|---------------------------|-------|
|           |       |   |                                  | Idc 1                     | Idc 2 |
| CWRA-100K | 100K  | 10 $\pm$ 10%                              | 20.0m                            | 10.40                     | 6.00  |
| CWRA-120K | 120K  | 12 $\pm$ 10%                              | 21.5m                            | 9.60                      | 5.85  |
| CWRA-150K | 150K  | 15 $\pm$ 10%                              | 24.7m                            | 8.40                      | 5.44  |
| CWRA-180K | 180K  | 18 $\pm$ 10%                              | 27.3m                            | 7.60                      | 5.12  |
| CWRA-220K | 220K  | 22 $\pm$ 10%                              | 30.0m                            | 7.05                      | 4.80  |
| CWRA-270K | 270K  | 27 $\pm$ 10%                              | 33.2m                            | 6.40                      | 4.48  |
| CWRA-330K | 330K  | 33 $\pm$ 10%                              | 37.1m                            | 5.70                      | 4.16  |
| CWRA-390K | 390K  | 39 $\pm$ 10%                              | 45.0m                            | 5.20                      | 3.76  |
| CWRA-470K | 470K  | 47 $\pm$ 10%                              | 50.0m                            | 4.80                      | 3.60  |
| CWRA-560K | 560K  | 56 $\pm$ 10%                              | 62.5m                            | 4.40                      | 3.44  |
| CWRA-680K | 680K  | 68 $\pm$ 10%                              | 79.4m                            | 3.85                      | 3.05  |
| CWRA-820K | 820K  | 82 $\pm$ 10%                              | 89.5m                            | 3.60                      | 2.80  |
| CWRA-101K | 101K  | 100 $\pm$ 10%                             | 0.12                             | 3.28                      | 2.40  |
| CWRA-121K | 121K  | 120 $\pm$ 10%                             | 0.13                             | 2.88                      | 2.16  |
| CWRA-151K | 151K  | 150 $\pm$ 10%                             | 0.16                             | 2.56                      | 1.92  |
| CWRA-181K | 181K  | 180 $\pm$ 10%                             | 0.19                             | 2.40                      | 1.76  |
| CWRA-221K | 221K  | 220 $\pm$ 10%                             | 0.25                             | 2.10                      | 1.60  |
| CWRA-271K | 271K  | 270 $\pm$ 10%                             | 0.33                             | 1.92                      | 1.44  |
| CWRA-331K | 331K  | 330 $\pm$ 10%                             | 0.38                             | 1.75                      | 1.20  |
| CWRA-391K | 391K  | 390 $\pm$ 10%                             | 0.41                             | 1.60                      | 1.12  |
| CWRA-471K | 471K  | 470 $\pm$ 10%                             | 0.46                             | 1.44                      | 1.04  |
| CWRA-561K | 561K  | 560 $\pm$ 10%                             | 0.58                             | 1.28                      | 0.96  |
| CWRA-681K | 681K  | 680 $\pm$ 10%                             | 0.65                             | 1.20                      | 0.88  |
| CWRA-821K | 821K  | 820 $\pm$ 10%                             | 0.81                             | 1.12                      | 0.80  |
| CWRA-102K | 102K  | 1000 $\pm$ 10%                            | 0.91                             | 0.95                      | 0.77  |
| CWRA-122K | 122K  | 1200 $\pm$ 10%                            | 1.15                             | 0.88                      | 0.70  |
| CWRA-152K | 152K  | 1500 $\pm$ 10%                            | 1.31                             | 0.80                      | 0.66  |
| CWRA-182K | 182K  | 1800 $\pm$ 10%                            | 1.55                             | 0.75                      | 0.64  |
| CWRA-222K | 222K  | 2200 $\pm$ 10%                            | 1.87                             | 0.70                      | 0.52  |
| CWRA-272K | 272K  | 2700 $\pm$ 10%                            | 2.36                             | 0.62                      | 0.48  |
| CWRA-332K | 332K  | 3300 $\pm$ 10%                            | 2.96                             | 0.55                      | 0.43  |
| CWRA-392K | 392K  | 3900 $\pm$ 10%                            | 3.30                             | 0.50                      | 0.40  |
| CWRA-472K | 472K  | 4700 $\pm$ 10%                            | 4.15                             | 0.45                      | 0.36  |
| CWRA-562K | 562K  | 5600 $\pm$ 10%                            | 5.40                             | 0.42                      | 0.32  |
| CWRA-682K | 682K  | 6800 $\pm$ 10%                            | 6.12                             | 0.38                      | 0.30  |
| CWRA-822K | 822K  | 8200 $\pm$ 10%                            | 8.05                             | 0.35                      | 0.26  |
| CWRA-103K | 103K  | 10000 $\pm$ 10%                           | 9.0                              | 0.33                      | 0.24  |
| CWRA-123K | 123K  | 12000 $\pm$ 10%                           | 12.4                             | 0.30                      | 0.22  |
| CWRA-153K | 153K  | 15000 $\pm$ 10%                           | 14.2                             | 0.26                      | 0.20  |
| CWRA-183K | 183K  | 18000 $\pm$ 10%                           | 17.0                             | 0.24                      | 0.18  |
| CWRA-223K | 223K  | 22000 $\pm$ 10%                           | 21.1                             | 0.22                      | 0.16  |
| CWRA-273K | 273K  | 27000 $\pm$ 10%                           | 26.9                             | 0.19                      | 0.14  |
| CWRA-333K | 333K  | 33000 $\pm$ 10%                           | 34.8                             | 0.18                      | 0.13  |
| CWRA-393K | 393K  | 39000 $\pm$ 10%                           | 38.5                             | 0.16                      | 0.12  |
| CWRA-473K | 473K  | 47000 $\pm$ 10%                           | 48.0                             | 0.14                      | 0.11  |
| CWRA-563K | 563K  | 56000 $\pm$ 10%                           | 54.0                             | 0.13                      | 0.10  |
| CWRA-683K | 683K  | 68000 $\pm$ 10%                           | 72.0                             | 0.12                      | 90m   |
| CWRA-823K | 823K  | 82000 $\pm$ 10%                           | 86.5                             | 0.11                      | 75m   |
| CWRA-104K | 104K  | 100000 $\pm$ 10%                          | 98.5                             | 0.10                      | 70m   |

※ Specifications other than the above will be furnished upon request.